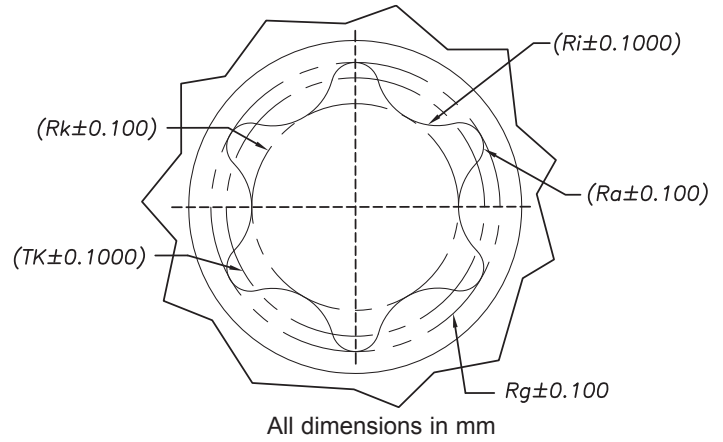


Reach for the stars to achieve a higher level!

- Design helps provide a uniform distribution of torque force which can lessen the chance of high stress to the working end of the bit and the screw head.
- Star shape profile has less of a surface-to-surface gap between the bit and the screw in comparison with hex profile. This results in a better force closure.
- No holding sleeve required.
- Hardness: HRc 56±4.
- Made from German stainless steel.
- Quality verified and guaranteed by gSource.

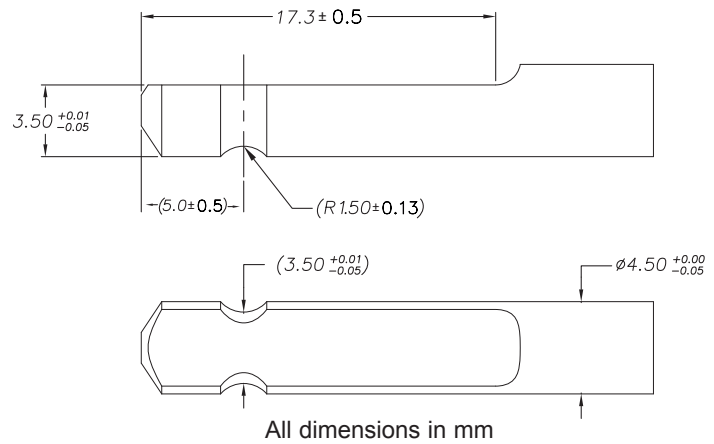
Bit working end detail (not to scale)



Part #	Size	(Rk)	(TK)	Rg	(Ri)	(Ra)
86.1725	T25	1.573	1.9653	2.200	0.9459	0.359



Small Quick Coupling (SQC) end detail (not to scale)



	Length	Size	QC style
gS 86.1604	3 1/2"	T4	SQC
gS 86.1605	3 1/2"	T5	SQC
gS 86.1606	3 1/2"	T6	SQC
gS 86.1607	3 1/2"	T7	SQC
gS 86.1608	3 1/2"	T8	SQC
gS 86.1609	3 1/2"	T9	SQC
gS 86.1610	3 1/2"	T10	SQC
gS 86.1715	3 1/2"	T15	SQC
gS 86.1720	3 1/2"	T20	SQC
gS 86.1725	3 1/2"	T25	SQC

Star Screwdriver Bits

Available from your gSource Distributor:

Apiary Medical, Inc.
 12711 Big Bend Way
 Valley Center, CA 92082

P 800.561.6692

F 800.561.2160

E cserv@apiarymedical.com

www.apiarymedical.com



ISO 13485: 2003 Certified
 FS 589741
 FDA Registered